

k.60 Ball valve spring return

1/4" - 2" heavy duty - DIN 16722 M3, EN 10226-1

Access to fluid systems in public places could potentially convert into costs and safety problems. In order to avoid unattended valves being left open with negative economic or environmental consequences, developed the automatic self-closing valve.

The valve can be opened normally by rotating the handle 90° and when the user releases the handle, the valve shuts off automatically.

Best solution for service stations, trucks, public areas, gardens.

The same features is also useful in industrial applications, where a valve must not be left open unattended.

HIGH TEMPERATURE RESISTANCE

Now approved for **HTB** use (Hochtemperaturbeständigkeit)
Class B 0,1 (0,1 bar @650°C for at least 30 minutes).



Quality

- 24h 100% seal test guaranteed
- Dual sealing system allows valve to be operated in either direction making installation easier
- No metal-to-metal moving parts
- No maintenance ever required
- Handle clearly shows ball position
- Silicone-free lubricant on all seals
- Handle stops on body to avoid stress at stem
- Chrome plated brass ball for longer life

Body

- Hot forged sand blasted, nickel plated brass body and cap sealed with Loctite® or equivalent thread sealant
- Valve length according to DIN 16722 M3 for sizes from 3/8" to 2" (DN10 to DN50). Size 1/4" (DN 8) complies to DIN 3202 M3.
- Finest brass according to EN 12165 and EN 12164 specifications

Stem

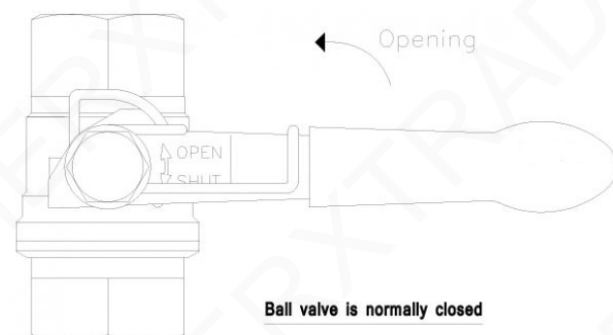
- Blowout-proof nickel plated brass stem
- Maintenance- free, double FPM O-rings at the stem for maximum safety

Sealing

- Pure PTFE self-lubricating seats with flexible-lip design

Threads

- EN 10226-1, ISO 228 parallel female by female threads



Flow

- 100% full port for maximum flow

Handle

- Robust spring ensures auto shutt-off with max pressure in valve
- Geomet® carbon steel handle with thick PVC dip coating. Handle coating offers both thermal and electrical protection
- **WARNING:** do not exceed reasonable temperature and/or electrical load

Working pressure & temperature

- 65 bar (940 PSI) up to 1", 40 bar (600 PSI) over 1" non-shock cold working pressure
- -20°C to +170°C (-4°F to +350°F)
- For use with dangerous fluids temperature rating is -20°C to +60°C (-4°F to +140°F) and pressure rating is 5 bar (72 PSI) / **HTB** Class B 0,1
- **WARNING:** freezing of the fluid in the installation may severely damage the valve

Upon request

- Stainless steel ball (1.4401 / AISI 316)
- Custom design
- Stainless steel handle (1.4016 / AISI 430)

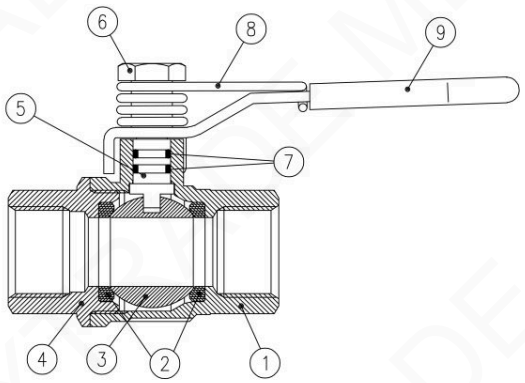
PED directive

- Assessment according to Pressure Equipment Directive 2014/68/UE module B+D by ICIM (0425)

Approved by or in compliance with

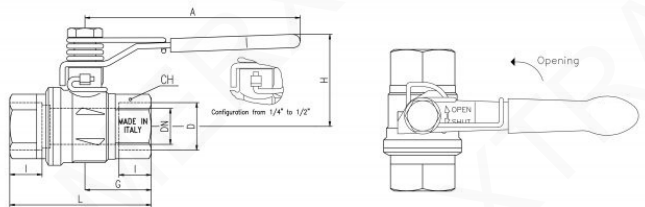
- DVGW (Germany) - MOP 5 B 0,1
- GOST-R (Russia)
- EAC - Declaration of conformity (Russia, Kazakhstan, Belarus)
- RoHS Compliant (EU)

NOTE: approvals apply to specific configurations/sizes only.



	PART DESCRIPTION	Q.TY	MATERIAL
1	Nickel plated body	1	CW617N
2	Seat	2	PTFE
3	Chrome plated ball	1	CW617N
4	Nickel plated end-cap	1	CW617N
5	Nickel plated stem O-ring design	1	CW617N
6	Unplated spring nut	1	CW617N
7	O-Ring	2	FPM
8	Spring return	1	1.4310 (AISI 302)
9	Yellow PVC coated Geomet® steel handle	1	DD11 (EN10111)

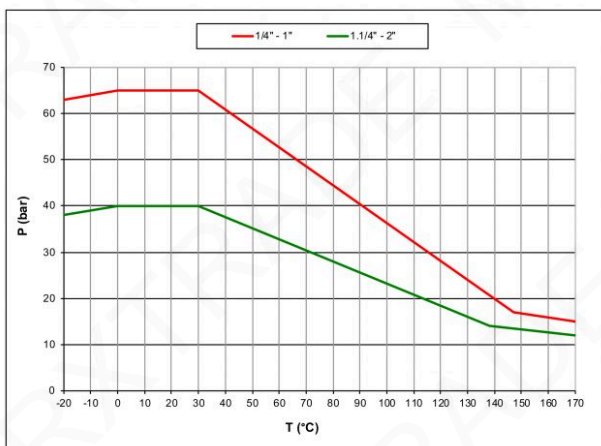
1.1/4"-2" hollow ball



Ball valves are marked CE on handle from 1.1/4" to 2" as follow:
CE 0425 Cat IIIB+D PS: 5 GAS TS1: -20°C TS2: +60°C

Code	Compliant to CE 2014/68/UE product Equipment category III Module B+D							
	S60B05M	S60C05M	S60D05M	S60E05M	S60F05M	S60G05M	S60H05M	S60I05M
D (inch)	1/4	3/8	1/2	3/4	1	1 1/4	1 1/2	2
DN (mm)	8	10	15	20	25	32	40	50
I (mm)	12.5	12.5	15.5	18	21	23	24.5	26.5
L (mm)	50	60	75	80	90	110	120	140
G (mm)	25.5	25.5	30.5	37	45.5	52	59	67.5
A (mm)	100	100	100	120	120	158	158	158
H (mm)	40	40	43	51	55	75	81	88
CH (mm)	22	22	27	32	41	50	55	70
PN (bar)	65	65	65	65	65	40	40	40
Kv (m3/h)	4.1	8.7	28	60	100	95	179	233

Pressure-temperature chart



Pressure drop chart

